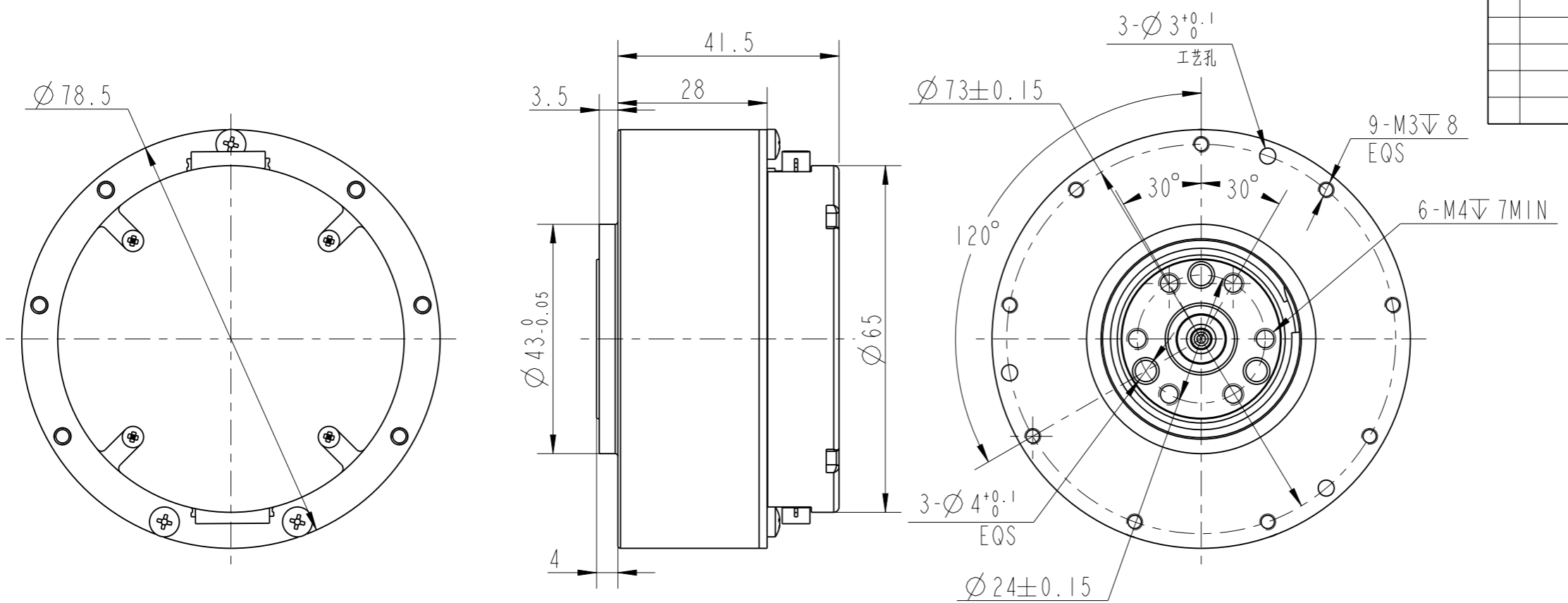


REV	ECN	NO	DESCRIPTION	DRN	APP'D	DATE



保密

NUMBER OF PHASE	绕组相数	3	Wires for Phases		
NUMBER OF POLES	极数	28			
LINE TO LINE RESISTANCE	线电阻	$0.52 \pm 5\%$ ohms@20°C			
LINE TO LINE INDUCTANCE	线电感	$0.45 \pm 20\%$ mH@1kHz			
NOMINAL VOLTAGE	额定电压	48 VDC			
NO LOAD SPEED	空载转速	$410 \pm 10\%$ RPM			
NO LOAD CURRENT	空载电流	0.5 Arms			
RATED TORQUE	额定转矩	6 N.m			
RATED SPEED	额定转速	$360 \pm 10\%$ RPM			
RATED CURRENT	额定电流	$7 \pm 10\%$ Apk			
PEAK TORQUE	峰值转矩	17N.m			
PEAK CURRENT	峰值电流	$23 \pm 10\%$ Apk			
BACK EMF CONSTANT	反电势常数	9.45 Vrms/kRPM			
TORQUE CONSTANT	转矩常数	1.22 N.m/A			
INSULATION CLASS	绝缘等级	B 130°C			
DIELECTRIC STRENG	介电强度	600VAC ISEC.2mA			
INSULATION RESIST	绝缘电阻	100M Ω m @500VDC			
Reduction Ratio	减速比	7.75			
WEIGHT	重量	404 \pm 3g			
OPERATION AMBIENT	使用环境	Ambient temperature:-20...+50°C, humidity Max.85%(No condensation)			
STORAGE AMBIENT	存储环境	Ambient temperature:-30...+70°C, humidity Max.85%(No condensation)			

PERMISSIBLE RADIAL+AXIAL FORCE

REV	ECN NO.	DESCRIPTION	DESIGN	DATE	P/N.
UNLESS OTHERWISE SPECIFIED TOLERANCES:		MATERIAL	WEIGHT	CHECK	TITLE
DECIMALS:					Specifications
.X	± 0.5				USED ON
.XX	± 0.25				iSVD78C-48V-230-A14-002
.XXX	± 0.1				DWG NO.
ANGULAR:		SHEET	STANDARDIZATION		REV
$\pm 0^\circ 30'$		1 OF 1			A
UNIT: mm		FIRST ANGLE PROJECTION	SCALE	APPD	
DO NOT SCALE DRAWING			1:1		FULLING MOTOR